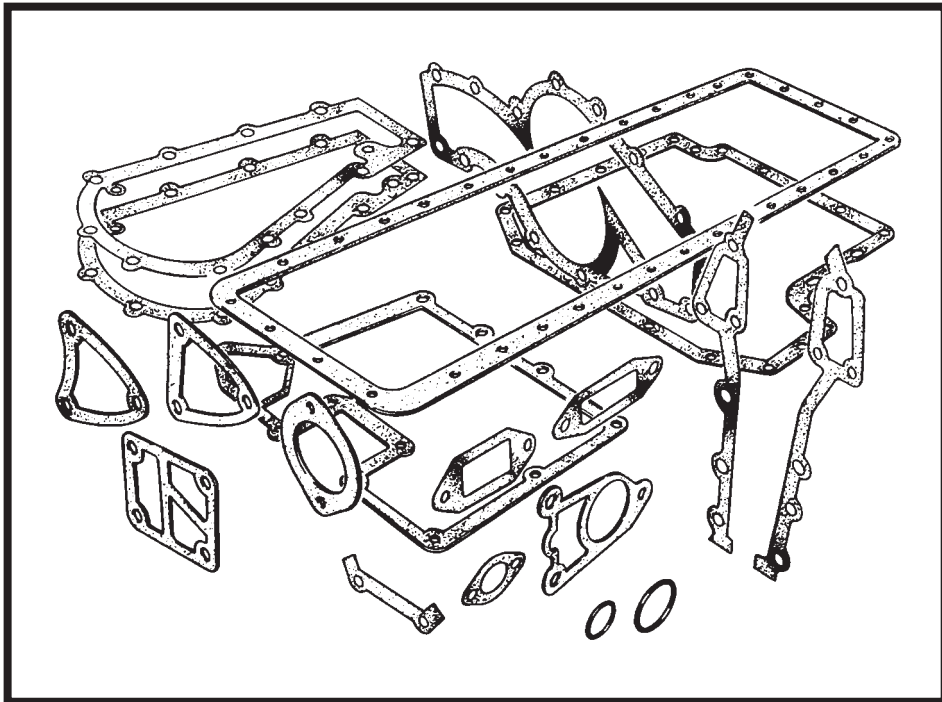


# ENGINE GASKETS & SEALS



## INLET VALVE STEM SEALS

| MODEL      | PART No | QTY PER VEHICLE |
|------------|---------|-----------------|
| MOST 6 CYL | EAC5032 | 6               |
| ALL V12    | C34949  | 12              |
| XJS 3.6    | EAC5032 | 12              |

## HEAD GASKETS

| MODEL                     | PART No            | QTY PER VEHICLE |
|---------------------------|--------------------|-----------------|
| XK 120/140/150            | C19112             | 1               |
| 3.8 XK 150 & 3.8 'E' TYPE | C19113             | 1               |
| 4.2 'E' TYPE              | EAC2957            | 1               |
| XJ 2.8                    | C35597             | 1               |
| XJ 3.4                    | EAC8349            | 1               |
| XJ 4.2                    | EAC2957            | 1               |
| V12E, XJ12, XJS TO 1981   | C33135<br>C33136   | 1<br>1          |
| XJ 12, XJS V12 1981 ON    | EAC1954<br>EAC1955 | 1<br>1          |
| XJS 3.6                   | EAC7504            | 1               |

## HEAD GASKET SETS

| MODEL                 | PART No | QTY PER VEHICLE |
|-----------------------|---------|-----------------|
| XK 120/140/150        | XKHG4   | 1               |
| XK 150 3.8 & 3.8E     | XKHG3   | 1               |
| S1 4.2 'E' TYPE       | XKHG2   | 1               |
| S2 'E' TYPE           | XKHG7   | 1               |
| V12E, XJ12 S1/2 CARB  | XKHG1   | 1               |
| XJ 2.8                | XKHG5   | 1               |
| XJ 4.2 CARB MODEL     | XKHG10  | 1               |
| XJ 3.4                | XKHG8   | 1               |
| XJ 4.2 FUEL INJ MODEL | XKHG11  | 1               |
| XJ 12 HE & XJS HE     | XKHG12  | 1               |
| XJS 3.6               | XKHG13  | 1               |

## CRANK BREATHER GASKET

| MODEL     | PART No | QTY PER VEHICLE |
|-----------|---------|-----------------|
| ALL 6 CYL | C2227   | 2               |
| ALL V12   | C32366  | 1               |

## CAM COVER GASKETS

| MODEL              | PART No          | QTY PER VEHICLE |
|--------------------|------------------|-----------------|
| XK 120/140         | C6735            | 2               |
| XK 150             | C6735            | 1               |
| 3.8 & 4.2 'E' TYPE | C14988           | 1               |
| XJ6 S1/2 EARLY     |                  |                 |
| ALL V12 MODELS     | C29428<br>C29429 | 1<br>1          |
| XJ6 S2 LATE S3     | EAC5039          | 2               |
| XJS 3.6            | EAC2912          | 1               |

## EXHAUST MANIFOLD GASKET

| MODEL     | PART No                       | QTY PER VEHICLE |
|-----------|-------------------------------|-----------------|
| ALL 6 CYL | GEG635                        | 2               |
| ALL V12   | C33921                        | 12              |
| XJS 3.6   | EAC8994 Front<br>EAC8995 Rear | 1<br>1          |

## WATER PUMP GASKET

| MODEL                          | PART No | QTY PER VEHICLE |
|--------------------------------|---------|-----------------|
| ALL XK & 6 CYL 'E' TYPE MODELS | C2303   | 1               |
| ALL V12                        | C29626  | 1               |
| ALL XJ6 MODELS                 | C28656  | 1               |

## LOWER GASKET SETS

| MODEL                       | PART No | QTY PER VEHICLE |
|-----------------------------|---------|-----------------|
| XK 120/140/150 3.8 'E' TYPE | XKCS1   | 1               |
| S1/2 4.2 'E' TYPE           |         |                 |
| XJ 2.8, 3.4, 4.2            | XKCS2   | 1               |
| All V12 MODELS              | XKCS3   | 1               |
| XJS 3.6                     | XKCS4   | 1               |

## REAR CRANK SEAL

| MODEL          | PART No | QTY PER VEHICLE |
|----------------|---------|-----------------|
| XK120          | C2302   | 1               |
| MOST 6 CYL     | C19654  | 2               |
| ALL V12 MODELS | C19654  | 2               |
| XJS 3.6        | EAC4974 | 1               |

## CARB TO INLET MANIFOLD SPACERS

| MODEL                 | PART No | QTY PER VEHICLE |
|-----------------------|---------|-----------------|
| XK 120/140/150        | C2368   | 2               |
| 3.8 & 4.2 'E' TYPE    | C33059  | 3               |
| XJ 2.8, 3.4, 4.2 CARB | C33059  | 2               |
| V12E, XJ12 CARB       | C33060  | 4               |
| XJ12, XJS INJ         | C33280  | 2               |



**SUMP GASKET**

| MODEL     | PART No     | QTY PER VEHICLE |
|-----------|-------------|-----------------|
| ALL 6 CYL | XKE33 (Kit) | 1 (Kit)         |
| ALL V12   | EAC7252     | 1               |

**OIL FILTER BLOCK GASKET**

| MODEL                      | PART No            | QTY PER VEHICLE |
|----------------------------|--------------------|-----------------|
| XK 120                     | C2248              | 1               |
| XK 140                     | C2248              | 1               |
| XK 150                     | C13091             | 1               |
| 3.8 'E' TYPE               | C15962             | 1               |
| 4.2 'E' TYPE               | C21912             | 1               |
| V12 'E' TYPE               | C33891             | 1               |
| S1 XJ6 & S2XJ6 EARLY       | EAC1542            | 1               |
| S2 XJ6 NON OIL COOLER      | C44277             | 1               |
| S2 XJ6 LATE & S3 XJ6 EARLY | EAC1670            | 1               |
| S3 XJ6 LATE ENG NO. NEEDED | EAC2429 OR EAC6338 | 1<br>1          |
| XJ12, XJS V12 ALL MODELS   | EAC6337            | 1               |

**TIMING COVER GASKET**

| MODEL      | PART No                    | QTY PER VEHICLE |
|------------|----------------------------|-----------------|
| MOST 6 CYL | C28658                     | 1PR             |
| ALL V12    | C29337<br>C29338<br>C29339 | 1<br>1<br>1     |

**FRONT CRANK SEAL**

| MODEL                         | PART No | QTY PER VEHICLE |
|-------------------------------|---------|-----------------|
| XK 120                        | C2306   | 2               |
| XK 140/150 3.8 & 4.2 'E' TYPE | EAC8815 | 1               |
| V12 'E'                       | C30002  | 1               |
| XJS 3.6                       | EAC7954 | 1               |

**DOWN PIPE JOINT**

| MODEL                  | PART No | QTY PER VEHICLE         |
|------------------------|---------|-------------------------|
| XK 120/140/150         | C495    | 2                       |
| ALL 'E' TYPE, XJ & XJS | CBC4834 | 2 (6 Cyl)<br>4 (12 Cyl) |

**THERMOSTAT GASKETS**

| MODEL                   | PART No                       | QTY PER VEHICLE |
|-------------------------|-------------------------------|-----------------|
| XK 140/150              | C4985                         | 1               |
| 3.8 'E' TYPE            | C4985                         | 1               |
| SER I 4.2 'E' TYPE      | C23234                        | 1               |
| SER II 4.2 'E' TYPE     | C28374<br>C28222              | 1<br>1          |
| V12 'E' TYPE            | C33281                        | 2               |
| XJ6 SER I, 2 & S3 EARLY | C28374<br>C28375              | 1<br>1          |
| XJ6 S3 LATE             | EAC1282<br>C28375             | 1<br>1          |
| XJS V12                 | EAC7047<br>EAC7048            | 1<br>1          |
| XJS 3.6                 | EAC4430 Early<br>EAC8999 Late | 1<br>1          |



**PARTS AVAILABLE  
FOR ALL MODELS  
MANUFACTURED  
SINCE 1948**

Please call  
**(+44) 02476 622288**  
for further details