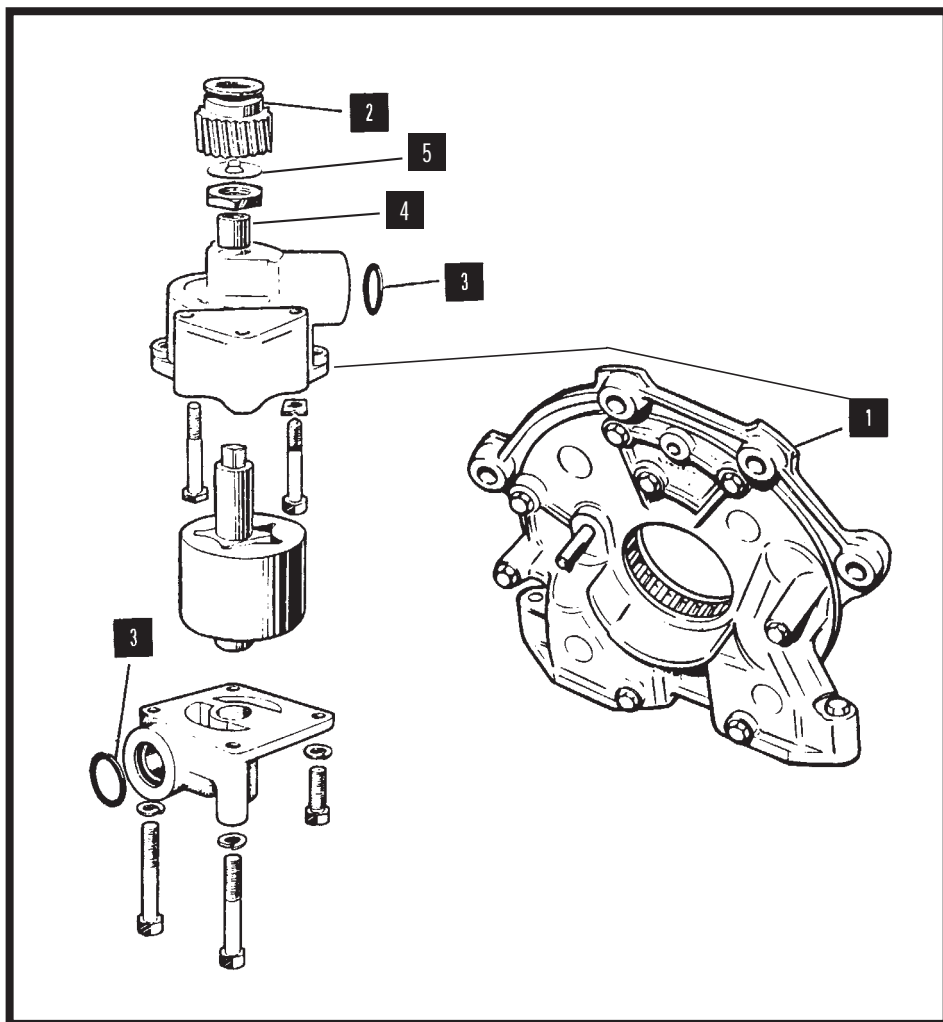


OIL PUMPS



OIL PUMP UNIT		Item 1
MODEL	PART No	QTY PER VEHICLE
XK 120*	C4715	1
XK 140 UP TO ENG NO G1907*	C7484	1
ALL 6 CYL (NOT XK 120 & EARLY XK140)	C21765/2	1
ALL V12 'E' TYPES	EBC3163*	1
	EBC4240*	1
XJS 3.6	EAC7398	1

* Re-con exchange only

OIL PUMP DRIVE GEAR		Item 2
MODEL	PART No	QTY PER VEHICLE
ALL 6 CYL	C2152	1
ALL V12	C32185	1
XJS 3.6	EAC2577 Sprocket JLM1279 Chain	1 1

OIL PUMP SEALS		Item 3
MODEL	PART No	QTY PER VEHICLE
6 CYL (EXCEPT XK 120)*	C8649	1
	C21848	1
V12 'E' TYPE	C29828	1
	C33855	3
XJ12 S2/3, XJS V12 PRE HE & HE	C33855	2
	C29426	1
	C29828	1
XJS 3.6	EAC5536	4

* For use with Pump C21765/2

DRIVE DOG		Item 4
MODEL	PART No	QTY PER VEHICLE
XK 140/150 ALL 6 CYL 'E' ALL 6 CYL XJ	C8648	1

LOCK TAB		Item 5
MODEL	PART No	QTY PER VEHICLE
XK 140/150 ALL 6 CYL 'E' ALL 6 CYL XJ	C2151	1
XJS 3.6	EAC4505	1