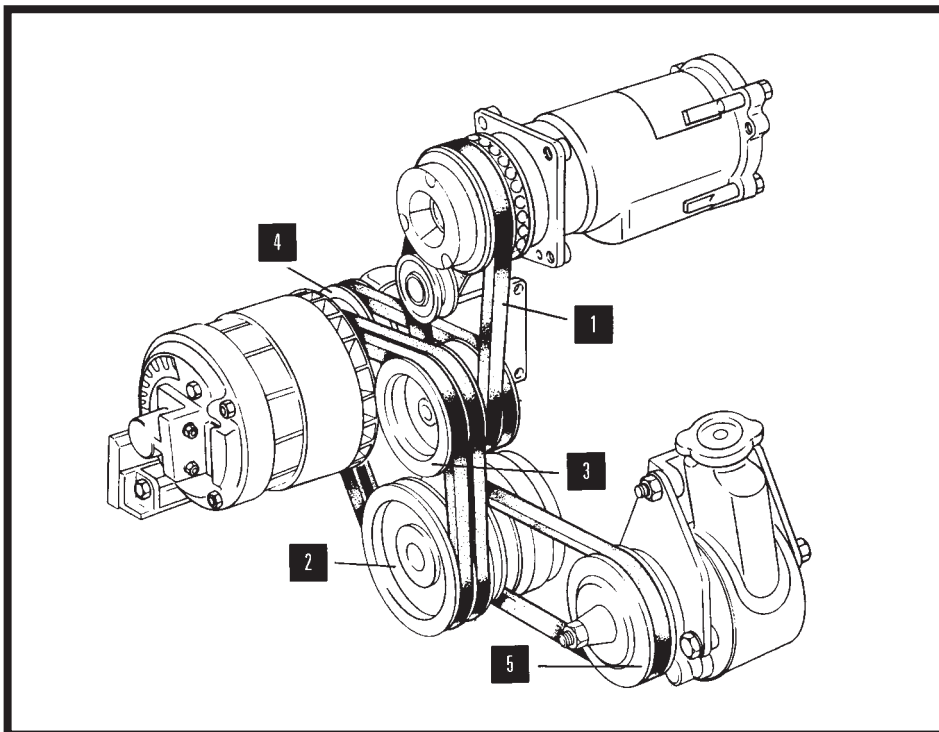


FAN BELTS & PULLEYS



FAN BELTS		Item 1
MODEL	PART No	QTY PER VEHICLE
XK 120 EARLY	8020XK	1
XK 120 LATE	8021XK	1
XK 140	8022XK	1
XK 150	8023XK	1
3.8 'E' TYPE	C19524	1
4.2 SER I 'E' TYPE	C24291	1
4.2 SER II 'E' TYPE	C28955 W/Pump C29849 Alt	1 1
V12 'E' TYPE	C34443 W/Pump & Alt C32752 P.A.S. C43070 A/C C34444 EX/EM	2 1 1 1
XJ6 2.8	C27844/1 W/Pump EAC1616 Alt C20887 Non Pas	1 1 1
XJ6 S1 4.2, S2 3.4/ 4.2 & S3 3.4	EAC1348 W/Pump & Pas EAC1349 A/C EAC1324 Alt. & A/Pump	1 1 2
XJ6 S3 4.2	EAC1348 W/Pump & Pas EAC1349 A/C EAC1324 A/Pump	1 1 1
EARLY LATE	EAC1616 Alt EAC3764 Alt	1 1
V12 XJ, XJS ALL MODELS	EAC1323 W/Pump & Pas EAC1616 Alt C43070 Fan C36123 A/C Carb Models EAC1605 A/C F. Inj. Models	1 1 1 1 1
XJS 3.6	EAC3850 ALT (80 AMP) EAC7033 Alt (90AMP) EAC3878 Compressor	1 1 1

CRANK PULLEY		Item 2
MODEL	PART No	QTY PER VEHICLE
XK 120 LATE	8470XK	1
XK 140 & EARLY XK 150	8471XK	1
LATE XK 150 & 3.8 'E' TYPE EARLY	C14589	1
3.8 'E' TYPE LATE	C19517	1
SER I 4.2 'E' TYPE	C24289	1
SER II 4.2 'E' TYPE	C23131	1
V12 'E' TYPE	C32528	1
XJ6 S1/2/3	C27754 (Non A/C)	1
XJ6 S1/2/3	C23131 (A/C)	1
ALL XJ12 & XJS V12	C37892	1
XJS 3.6	EAC4056	1

WATER PUMP PULLEY		Item 3
MODEL	PART No	QTY PER VEHICLE
XK 140 & EARLY 150	C7644	1
LATE XK 150 & 3.8 'E' TYPE EARLY	C14588	1
3.8 'E' TYPE LATE	C20176	1
4.2 SER I 'E' TYPE	C25083	1
V12 'E' TYPE UP TO 7S 7784	C34395	1
V12 'E' TYPE FROM 7S 7785	C36915	1
XJ6 SER I 2.8/4.2	C28608	1
XJ6 S2/S3 CENTRE BOLT FITTING	C40128	1
XJ6 S3 4 BOLT FITTING	EAC6306	1
XJ12 S1/S2 XJS PRE HE DOUBLE PULLEY	C38325	1
XJ12 S3, XJS HE V12 SINGLE PULLEY	C37817	1
XJS 3.6 EARLY LATE (80 AMP ALT) LATE (90 AMP ALT)	EAC5481 EAC5442 EAC6651	1 1 1

GENERATOR PULLEY		Item 4
MODEL	PART No	QTY PER VEHICLE
LATE XK 150 & 3.8 'E' TYPE EARLY	C14590	1
3.8 'E' TYPE LATE	C19520	1
4.2 SER I 'E' TYPE	C24392	1
SER II 'E' TYPE	C23123	1
V12 'E' TYPE	C33985	1
XJ6 S1/S2 2.8 NON A/C	C 37163	1
XJ6 S1/ S2 2.8 A/C	C38860	1
XJ6 S1 4.2/S2 3.4/4.2 EARLY NON A/C	C37162	1
XJ6 S2 3.4/4.2 LATE S3 EARLY NON A/C	EAC1957	1
XJ6 S1 4.2/S2 3.4/4.2 EARLY A/C	C37150	1
XJ6 S2 3.4/4.2 LATE S3 3.4/4.2 EARLY A/C	EAC1061	1
XJ6 S3 LATE A/C	AEU1281 (65 Amp) OR EAC6893 (75 Amp)	1
XJ12 S1/S2, XJS PRE HE EARLY	C36032	
XJS PRE HE LATE & XJ12 S3 EARLY	EAC1061	1
XJ12 S3 LATE & XJS HE UP TO 1987	EAC6893	1
XJS 3.6 UP TO 1987	JLM335	1
XJS 3.6 1987 ON	EAC6893 (75 Amp) DBC3231 (90 & 115 Amp)	1 1

P.A.S. PUMP PULLEY		Item 5
MODEL	PART No	QTY PER VEHICLE
V12 'E' TYPE	C32593	1
XJ6 S1/S2 EARLY	C23133/1	1
XJ6 S2 LATE/S3 & XJS PRE HE LATE	C45544	1
XJ12 S1/S2 & XJS PRE HE EARLY	C36044	1
XJ12 S3 & XJS HE	C45551	1