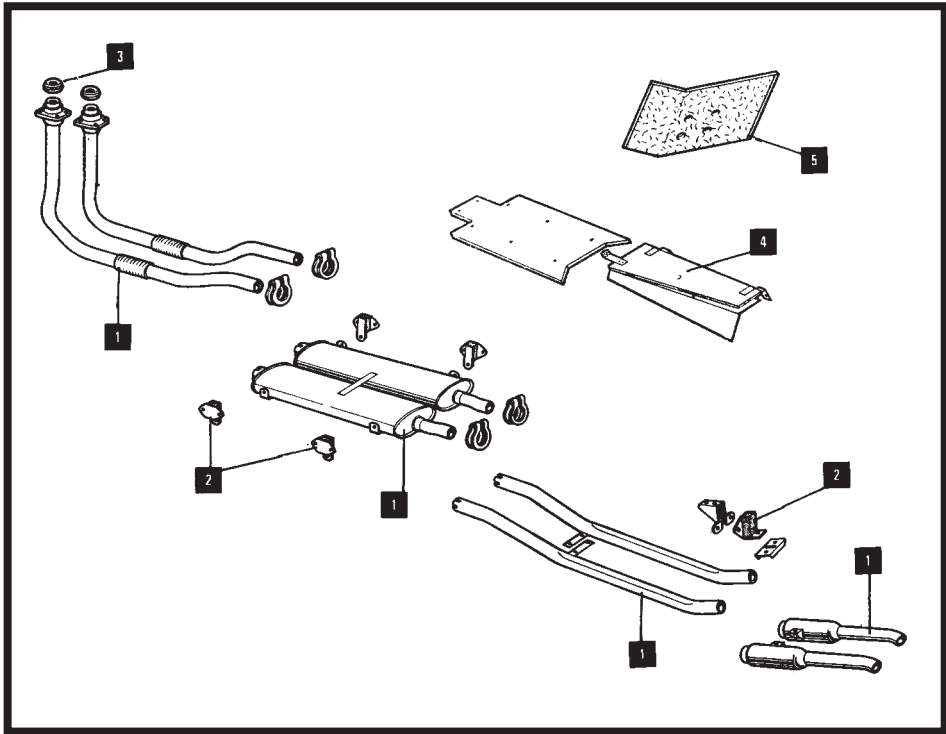


EXHAUSTS & HEAT SHIELDS



FULL SYSTEMS (STAINLESS)		Item 1
MODEL	PART No	QTY PER VEHICLE
XK 120 SINGLE	SSEXH1	1
XK 120 TWIN	SSEXH2	1
XK 140/150	SSEXH3	1
3.8 'E' TYPE	SSEXH4	1
4.2 SER I 'E' TYPE	SSEXH5	1
SER I 'E' 2+2	SSEXH9	1
4.2 SER II 'E' TYPE	SSEXH6	1
V12 'E' TYPE TWIN OUTLET*	SSEXH7	1
V12 'E' TYPE QUAD OUTLET*	SSEXH8	1
XJ6 S1 2.8	SSEXH11	1
XJ6 S1 4.2	SSEXH12	1
XJ6 S2 3.4/4.2 EARLY (NFP)	SSEXH13	1
XJ6 S2 3.4/4.2 LATE (NFP)	SSEXH14	1
XJ6 S3 3.4/4.2 EARLY (NFP)	SSEXH15	1
XJ6 S3 3.4/4.2 LATE (NFP)	SSEXH16	1
XJ12 S2/S3 EARLY (NFP)	SSEXH17	1
XJ12 S3 LATE (NFP)	SSEXH18	1
XJS PRE HE (NFP)	SSEXH19	1
XJS HE (NFP)	SSEXH20	1
XJS 3.6	SSEXH21	1

MOUNTINGS		Item 2
MODEL	PART No	QTY PER VEHICLE
XK 120 SINGLE	1363 C8397	2 1
XK 120 TWIN	1363 C8397	4 2
XK 140/150	1363 C8397	4 2
SER I & II 'E' TYPE ROADSTER & FHC	1363 C8397 C18975 C17462	1 4 1 1
SER I & II 2+2	C26152 C26153 C26150 GEX7266	2 2 4 1
V12 'E' TYPE	C33611 C34496 CBC4834 GEX7466 GEX7467	1 1 4 1 1
XJ6/XJ12 S1 EARLY	C25233 C25234 GEX7266 C30386 C30397 GEX7460	1 1 2 2 2 2
XJ6/XJ12 S1 LATE	C41559	1
XJ6/XJ12 S2	C41560	1
XJ6/XJ12 S3 EARLY	C45014 GEX7324 CAC3103 GEX7460 C43831 (Flange Joint Only)	2 2 2 2 2

MOUNTINGS CONT'D		Item 2
MODEL	PART No	QTY PER VEHICLE
XJ6/XJ12 S3 LATE	C41559 C41560 CAC2757 CAC2750 CAC3103 CAC2753 CAC2823 GEX7460 C43831 (Flange Joint Only)	1 1 2 2 2 2 2 2 2
XJS PRE HE	C41559 C41560 C45014 GEX7324 CAC3103 C45084 C43831 (Flange Joint Only)	1 1 2 2 2 2 2
XJS HE	C41559 C41560 CAC2757 CAC2750 CAC3103 CAC2753 CAC2823 C45084 C43831 (Flange Joint Only)	1 1 2 2 2 2 2 2
XJS 3.6	CAC4336 C43831 CAC2753 CAC2750 CAC2757 CAC3103 C45084	1 2 2 2 2 2 2

DOWNPIPE SEAL		Item 3
MODEL	PART No	QTY PER VEHICLE
ALL XK MODELS	C495	2
6 CYL 'E' TYPE	CBC4834	2
V12 'E' TYPE	CBC4834 C33487	4 2
XJ6 S1 EARLY	CBC4834	2
XJ6 S1 LATE & XJ6	C33487	2
'XJ6' S2 EARLY	C35401	1
XJ6 S2 LATER & XJ6	CBC4834	2
'XJ6' S3	C35401	1
XJ12 S1/2/3	CBC4834	4
XJS PRE HE & XJS HE	C35401	2
XJS 3.6	CBC4834	2

All these systems are in stainless steel.
 * Tail trims not included.
 NFP = No Front Pipes.
 Front Pipes Available P.O.A.
 Most systems available in Mild Steel. P.O.A.



UNDERBODY HEAT SHIELDS		Item 4
MODEL	PART No	QTY PER VEHICLE
XK120	BD3746	1
XK140	BD9409	1PR
XK150	BD9409	1PR
	BD9005	1
	BD9006	1
	BD9010	1
SER I & II 'E' TYPE ROADSTER & FHC	C25101 Front	1
	BD20439 Rear	1
SER I & II 'E' TYPE 2+2	XKHS 2+2 Front	1
	BD29124 Rear	1
V12 'E' TYPE*	XKHS12	1
	Comprising:	
	C36112	1
	C33827	1
	C34323	2
	C35855	1
C35856	1	

STARTER MOTOR HEATSHIELD Not Illustrated		
MODEL	PART No	QTY PER VEHICLE
V12 'E' TYPE	C35781	1
XJ12 S1 & S2 EARLY	C37249	1
XJ12 S2 LATE, S3 XJS PRE HE & XJS HE	C43317	1

ALTERNATOR HEAT SHIELDS Not Illustrated		
MODEL	PART No	QTY PER VEHICLE
ALL 4.2 'E' TYPE	C31181 C25812	1 1

*All parts available separately.
Most Heat Shields for XJ/XJS are available P.O.A.

EXHAUST TAIL TRIMS		
MODEL	PART No	QTY PER VEHICLE
V12 'E' TYPE	GEX 1667 (Quad)	1
	GEX 1668 (Twin)	1

MANIFOLD HEAT SHIELDS		Item 5
MODEL	PART No	QTY PER VEHICLE
3.8 'E' TYPE LHD	C18695/38 Manifold	1
4.2 'E' TYPE LHD	XKE97 Downpipes	1
	C18695/38 Manifold	1
4.2 'E' TYPE RHD	C18695/42 Downpipes	1
XJ6 S1/S2 & S3 3.4	C39697	1
XJ6 S3 4.2	EAC1264	1
XJ12 S1 & S2 EARLY	C39683 LH	1
	C39684 RH	1
XJ12 S2 LATE, S3 XJS PRE HE & XJS HE	C39686 LH	1
	C39687 RH	1
XJS 3.6	EAC9675	1



COMPRESSOR HEATSHIELD Not Illustrated		
MODEL	PART No	QTY PER VEHICLE
XJ6 S2 & S3	C37293	1

P.A.S. HOSE HEATSHIELD Not Illustrated		
MODEL	PART No	QTY PER VEHICLE
XJ12 S2 LATE, S3 XJS PRE HE & XJS HE	C44979	1

EXPRESS DELIVERY AVAILABLE

EUROPE WITHIN
24 HOURS

WORLDWIDE WITHIN
48 HOURS