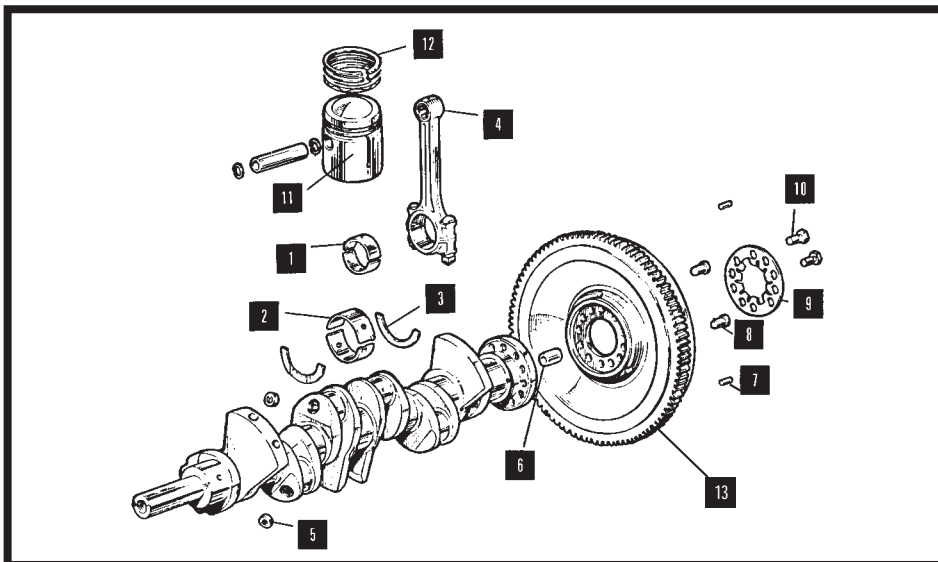


# CRANKSHAFT, BEARINGS & PISTONS



BIG END BEARINGS		Item 1
MODEL	PART No	QTY PER VEHICLE
ALL 6CYL EXCEPT XJS 3.6	C25400	1 SET
ALL V12*	JS571	1 SET
XJS 3.6	RTC2854	1 SET

Available Std up to + .040  
\* Standard size only

MAIN BEARINGS		Item 2
MODEL	PART No	QTY PER VEHICLE
XK MODELS (3.4)	C2315	1 SET
3.8 'E' TYPE & 3.8 XK 150	C16293	1 SET
ALL 4.2 E TYPE	10766	1 SET
ALL V12 *	RTC484	1 SET
XJ6 2.8	RTC1723	1 SET
XJ6 3.4	RTC1722	1 SET
XJ6 4.2	10766	1 SET
XJS 3.6 EARLY	RTC 2853	1 SET
XJS 3.6 LATE	JLM764	1 SET

Available Std up to + .040  
\* Standard size only

THRUST WASHER		Item 3
MODEL	PART No	QTY PER VEHICLE
ALL 6 CYL MODELS	C34744 Std	2
	C34744/1 O/Size	2
ALL V12 MODELS EARLY	C31806 Std	2
	C31806/1 O/Size	2
ALL V12 MODELS EARLY & XJS 3.6	C34697 Std	2
	C34697/1 O/Size	2

LITTLE END BEARINGS		Item 4
MODEL	PART No	QTY PER VEHICLE
ALL 6 CYL MODELS	C17164	6
ALL V12	C29308	12
XJS 3.6	EAC2732	6

CRANK PLUG		Item 5
MODEL	PART No	QTY PER VEHICLE
ALL XK & 3.8 'E' TYPE	C4283	6
ALL OTHER 6 CYL MODELS	C23761	6
ALL V12	C23761	12

SPIGOT BUSH		Item 6
MODEL	PART No	QTY PER VEHICLE
ALL MANUAL MODELS UPTO 1980	C2226	1
XJS 3.6 & XJ6 S3	UKC8154J	1

CLUTCH COVER DOWEL		Item 7
MODEL	PART No	QTY PER VEHICLE
ALL MANUAL MODELS EARLY	C1782	2
ALL MANUAL MODELS LATE	C8631	3

FLYWHEEL DOWEL		Item 8
MODEL	PART No	QTY PER VEHICLE
ALL MANUAL MODELS	C2313	2
ALL AUTO MODELS	C6862	2

FLYWHEEL TAB PLATE		Item 9
MODEL	PART No	QTY PER VEHICLE
ALL MANUAL MODELS	C4810	1
ALL AUTO MODELS	C6861	1

FLYWHEEL BOLT		Item 10
MODEL	PART No	QTY PER VEHICLE
MOST MANUAL MODELS	C4855	10
ALL AUTO MODELS	C6839	10
XJS 3.6 MANUAL	EAC2547	8
XJS 3.6 (AUTO) EARLY	EAC4620	8
XJS 3.6 (AUTO) LATE	EBC1939	8

PISTON ASSEMBLIES		Item 11
MODEL	PART No	QTY PER VEHICLE
3.4 XK MODELS	P4	1 SET
ALL 3.8 MODELS	P2	1 SET
4.2 'E' TYPE	P3	1 SET
ALL V12 PRE HE*	P1 STD	1 SET
XJ6 2.8	C33093	1 SET
XJ6 3.4	C42505	1 SET
XJ6 4.2 S1/2	C33089	1 SET
XJ6 4.2 S3	EAC6865 (High Comp)	1 SET
	EAC6866 (Std Comp)	1 SET
	EAC6252 (High Comp)	1 SET
XJS HE UPTO 1989*	EAC6253 (Std Comp)	1 SET
XJS 3.6 EARLY	EAC7168	1 SET
XJS 3.6 LATE	EBC1288	1 SET

Available Std up to + 0.060  
\* Standard size only. State compression req'd.

PISTON RING SETS		Item 12
MODEL	PART No	QTY PER VEHICLE
3.4 XK MODELS	R39420	1 SET
ALL 3.8 MODELS	R16586	1 SET
4.2 'E' TYPE	R39520	1 SET
ALL V12 PRE HE*	R26136	1 SET
XJ6 3.4	RTC2444	1 SET
XJ6 4.2 S1/2	RTC2443	1 SET
XJ6 4.2 S3	JLM324	1 SET
XJS HE UPTO 1989*	JLM1789	1 SET
XJS 3.6 EARLY	RTC2879	1SET
XJS 3.6 LATE	JLM581	1 SET

Available Std up to + .060 \* Standard size only.

FLYWHEEL (MANUAL MODELS)		Item 13
MODEL	PART No	QTY PER VEHICLE
XK MODELS	C4809	1
3.8 'E' TYPE	C14921	1
4.2 'E' TYPE & XJ6 S1 4.2	C18517	1
V12 E-TYPE	C37105	1
XJ6 S1 2.8	C23328	1
XJ6 S2 3.4/4.2	C45539	1
XJ6 S3	EAC1689	1

Ring Gears also available.

CRANKSHAFT TAB WASHER SET		Not Illustrated
MODEL	PART No	QTY PER VEHICLE
MOST 6 CYL MODELS	TS1	1